

QUICK START GUIDE

43" 2,500 nits High Brightness Digital Signage



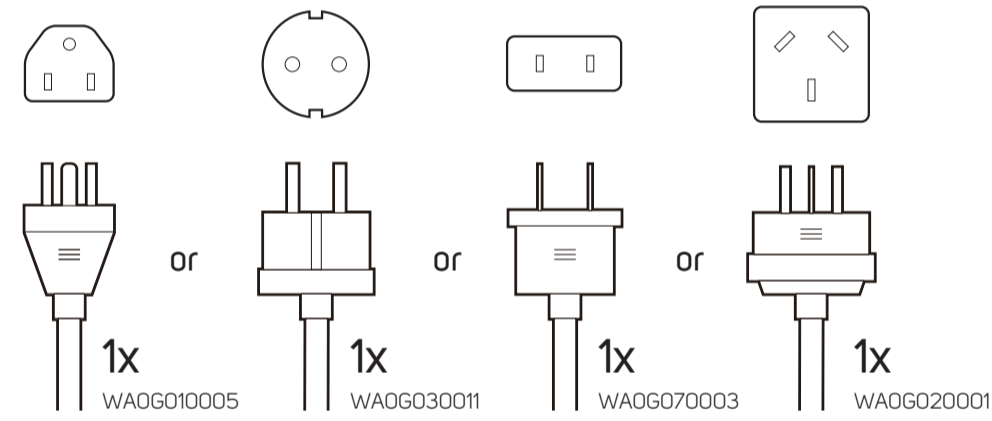
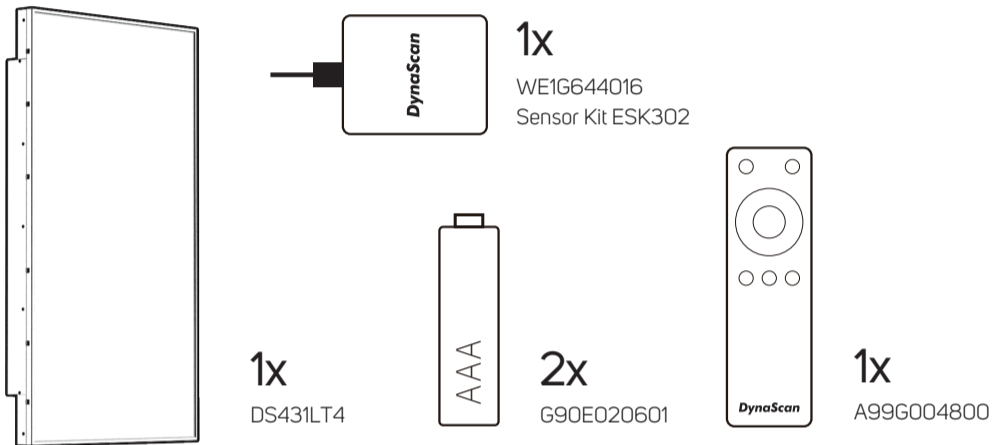
WARRANTY POLICY

Please visit our website to get more information.
<http://www.dynascandisplay.com/support/warranty/>

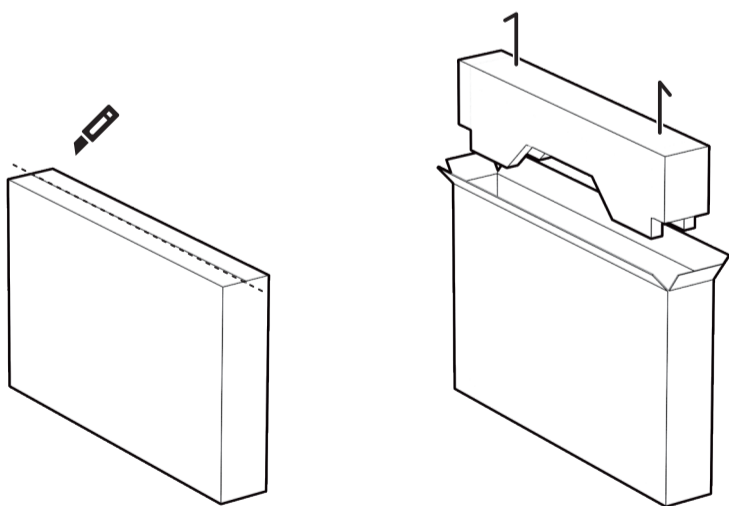
DynaScan

V1.00

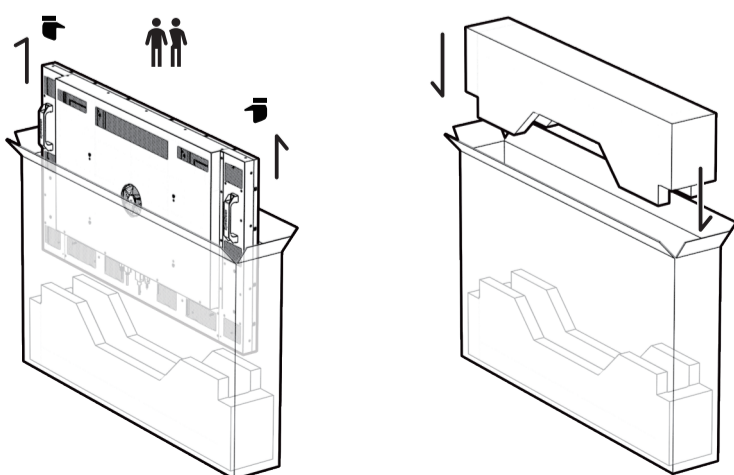
1



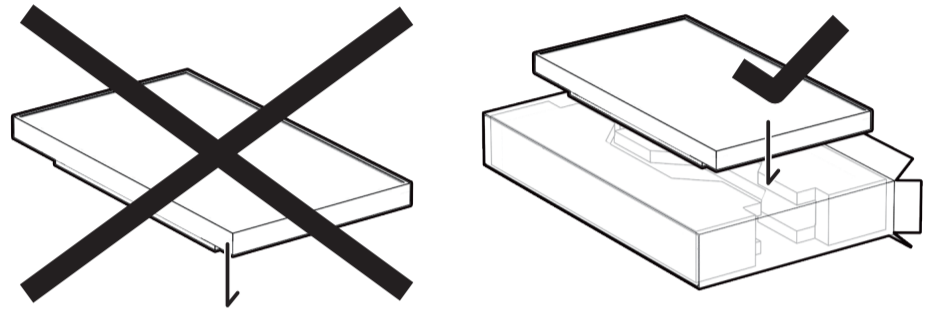
2



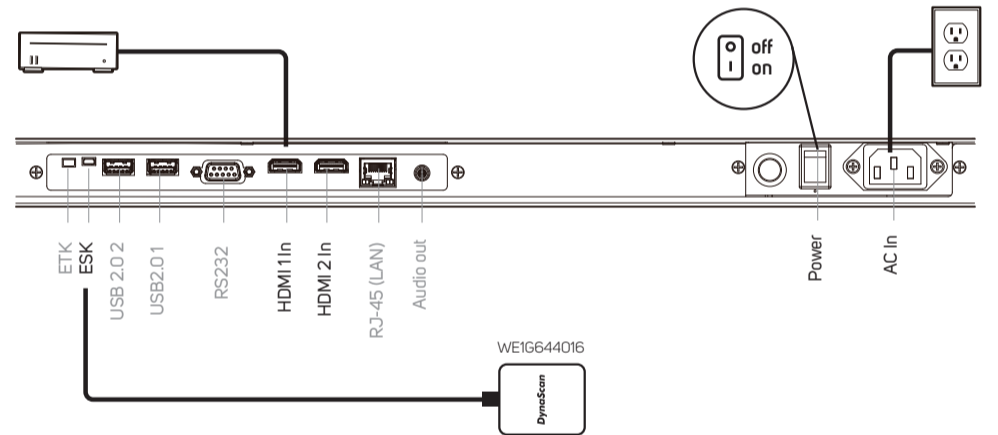
3



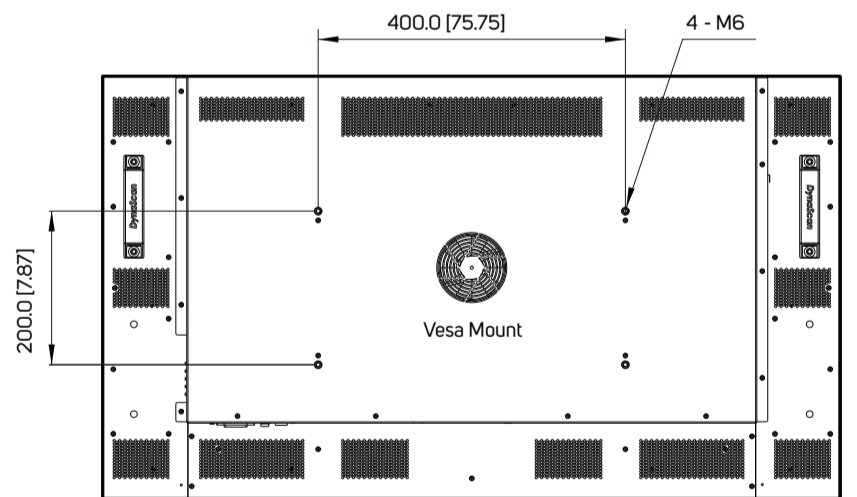
4



5



6



7

